

Technical data sheet

Product features



Slicer gear, blade 220 mm plain

Model	SAP Code	00001183
--------------	-----------------	----------



- Blade type: Smooth
- Blade diameter [mm]: 220
- Cutting thickness [mm]: 0 - 14
- Useful Cut [mm]: 195 x155
- Transfer type: Snail
- Material: Aluminium
- Safety cover: transparent plexiglass
- Safety element: motor with fan and overheating protection
stainless steel blade
guard
transparent finger protection
- Suitable consumer: suitable for small restaurants
and snack bars
- Table position: Oblique
- On/Off button: Yes
- Continuous work limit: running time without limitation

SAP Code	00001183	Loading	230 V / 1N - 50 Hz
Net Width [mm]	445	Blade type	Smooth
Net Depth [mm]	380	Blade diameter [mm]	220
Net Height [mm]	370	Cutting thickness [mm]	0 - 14
Net Weight [kg]	12.50	Useful Cut [mm]	195 x155
Power electric [kW]	0.140		

Technical data sheet

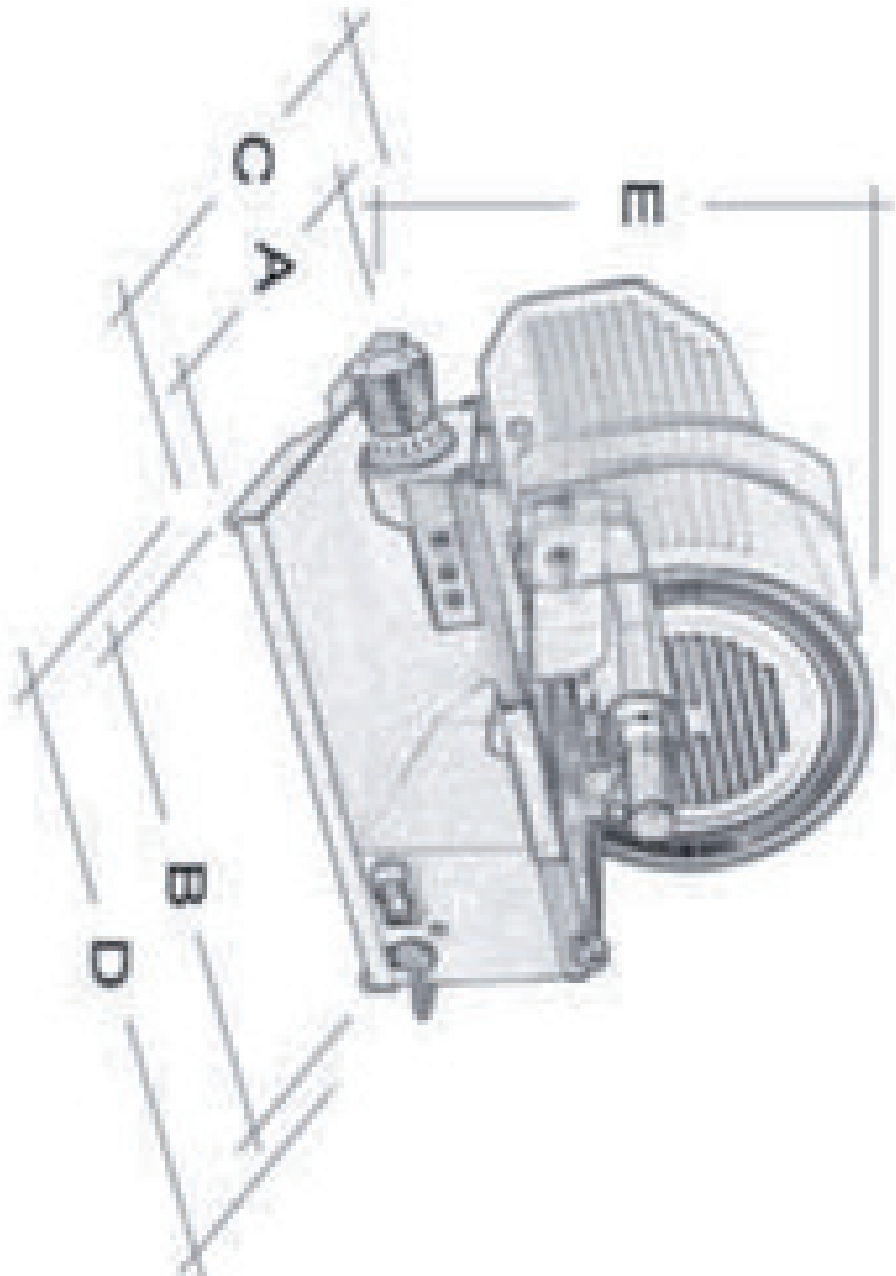
Technical drawing



Slicer gear, blade 220 mm plain

Model	SAP Code	00001183
--------------	-----------------	----------

Model	A	B	C	D	E
GMS 220	275	375	380	445	370
GMS 250	275	430	425	525	380
GMS 275 XL	350	490	480	510	400
GMS 300	350	490	480	580	515



Technical data sheet

Product benefits



Slicer gear, blade 220 mm plain

Model

SAP Code

00001183

1

Aluminum alloy body

- robustness
purity
- long service life
 - very easy to clean

2

Worm gear

- long service life
- thanks to the worm gear and the more powerful motor, it can be used de facto continuously

3

Anti-stick treatment of the knife including anti-stick grooves

- less adhesion of the sliced food to the knife
- thanks to the blade design, even softer foods can be cut, saving costs and time

4

Fan-cooled motor with overheating protection

- greater capacity of processed food
long life
- can work longer thanks to cooling
 - less risk of overheating and engine damage due to cooling

5

Finger protection

- high operational safety
- the finger guard minimises the risk of accidents at work

6

Grinding equipment included in the price

- guaranteed sharpness of the knife
quick maintenance
- no additional costs for external grinding
 - easy maintenance
 - immediate solution
 - time saving

Technical data sheet

Technical parameters



Slicer gear, blade 220 mm plain

Model

SAP Code

00001183

1. SAP Code:

00001183

2. Net Width [mm]:

445

3. Net Depth [mm]:

380

4. Net Height [mm]:

370

5. Net Weight [kg]:

12.50

6. Gross Width [mm]:

480

7. Gross depth [mm]:

580

8. Gross Height [mm]:

460

9. Gross Weight [kg]:

14.50

10. Device type:

Electric unit

11. Material:

Aluminium

12. Power electric [kW]:

0.140

13. Loading:

230 V / 1N - 50 Hz

14. Control type:

Mechanical

15. Safety cover:

transparent plexiglass

16. Safety element:

motor with fan and overheating protection
stainless steel blade
guard
transparent finger protection

17. Suitable consumer:

suitable for small restaurants and snack bars

18. Engine protection:

fan and overheating protection

19. Adjustable feet:

Yes

20. Main switch:

Yes

21. Transfer type:

Snail

22. Blade type:

Smooth

23. Blade diameter [mm]:

220

24. Useful Cut [mm]:

195 x155

25. On/Off button:

Yes

26. Continuous work limit:

running time without limitation

Technical data sheet

Technical parameters



Slicer gear, blade 220 mm plain

Model	SAP Code	
		00001183

27. Removable moving table:

Yes

28. Anti-adhesive blade treatment:

Yes

29. Table position:

Oblique

30. Blade cover material:

Stainless steel

31. Sharpening device:

Additional included in the price

32. Blade hardness:

58-59 HRC

33. Cutting thickness [mm]:

0 - 14